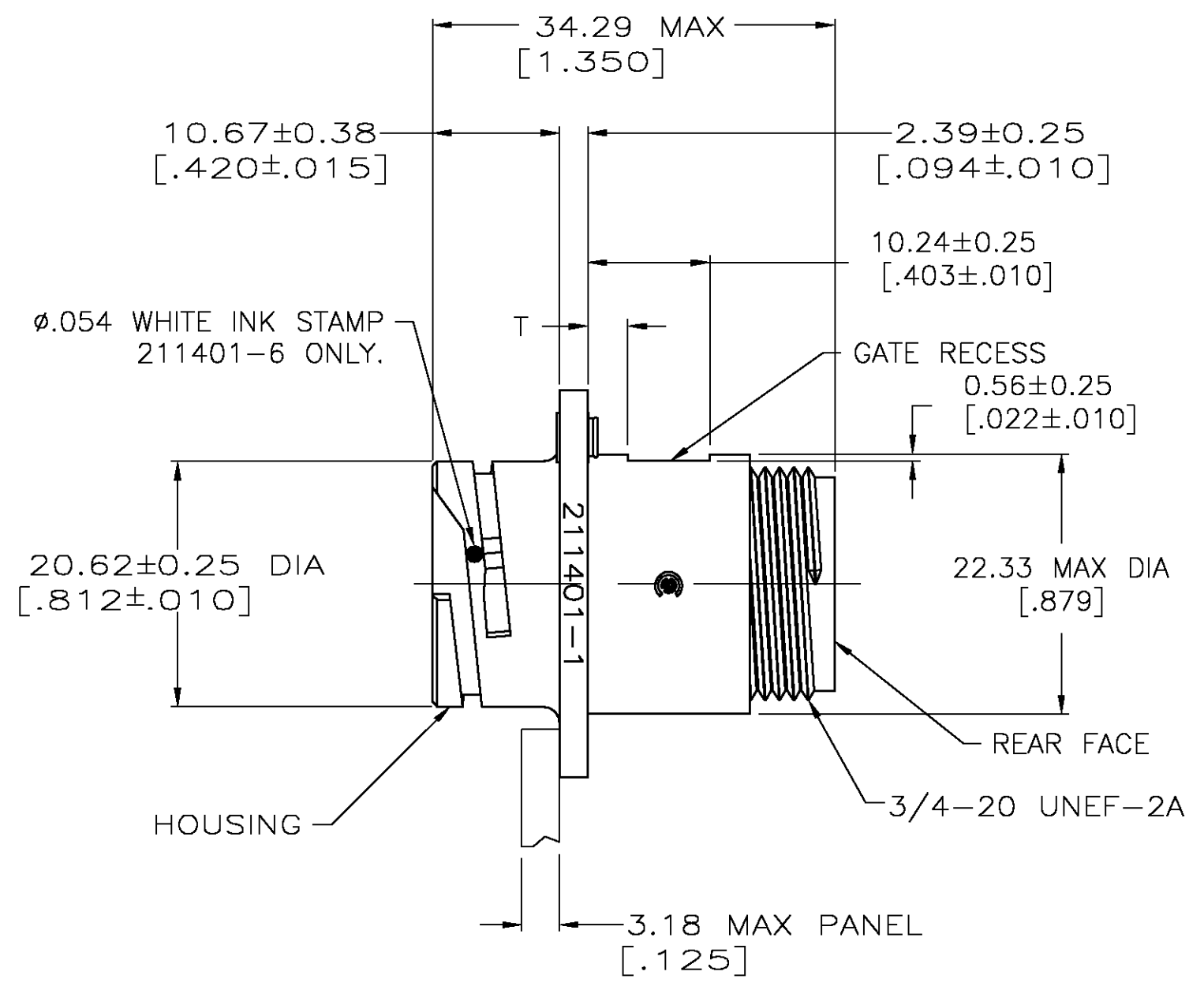
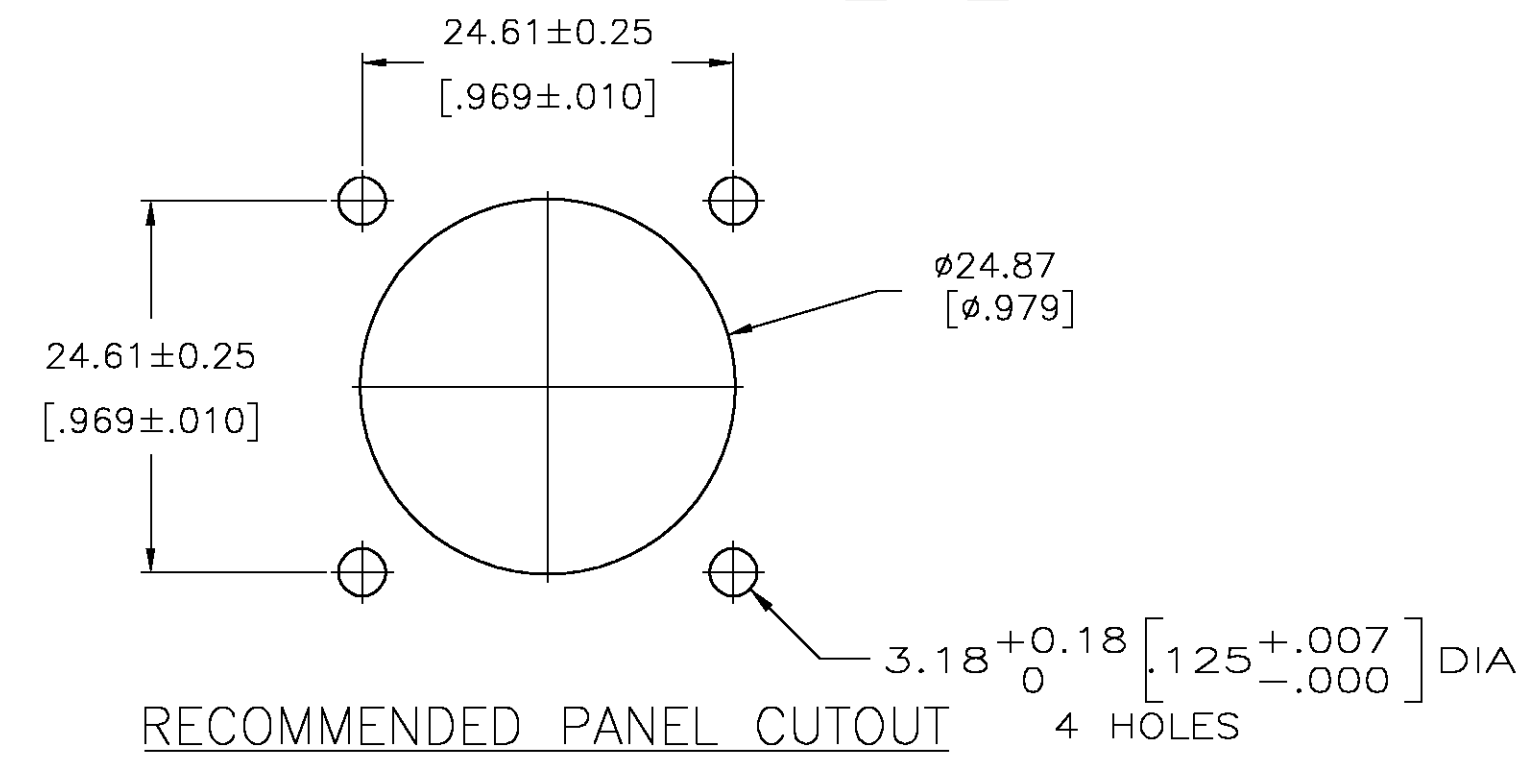
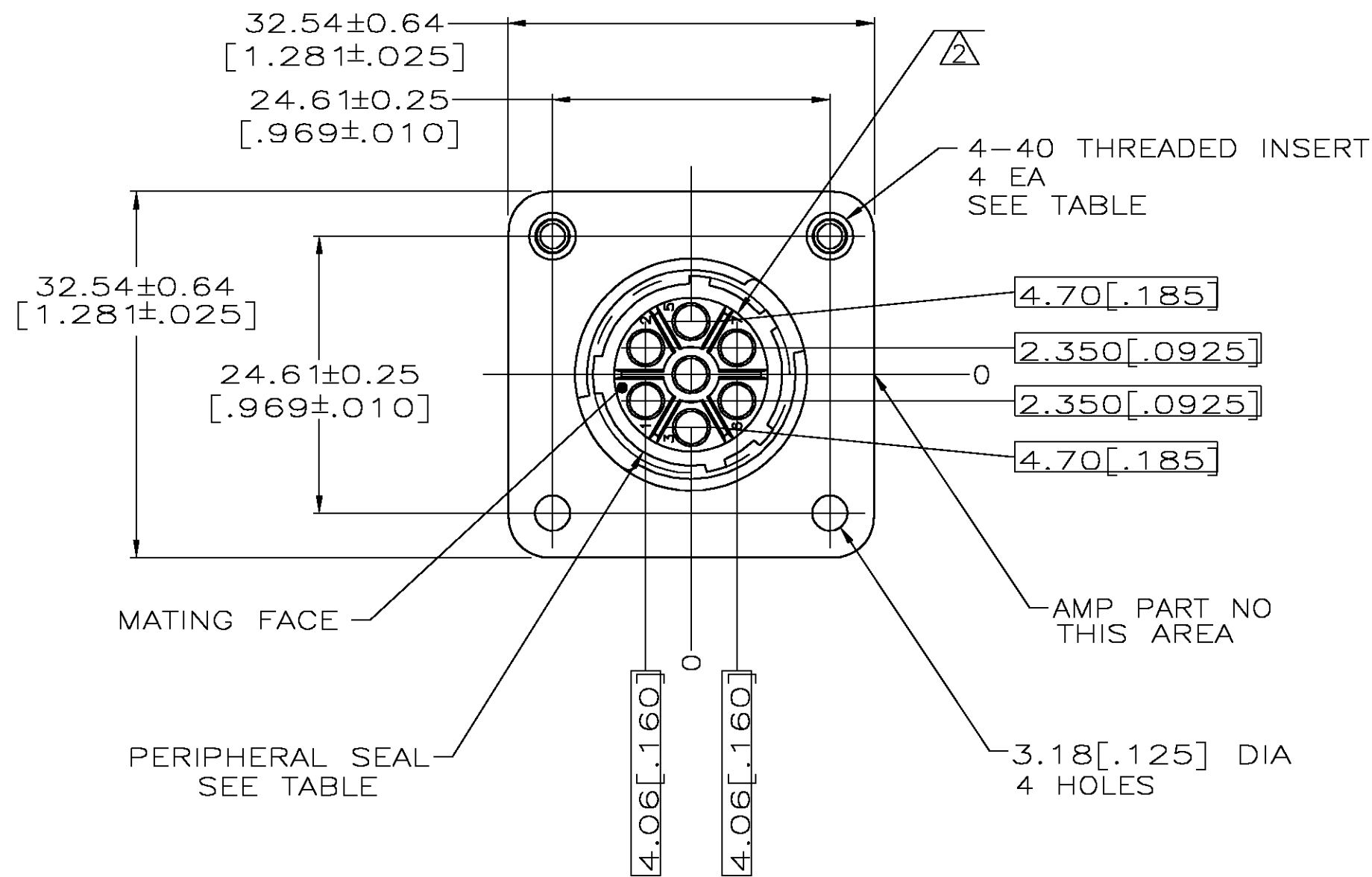


THIS DRAWING IS UNPUBLISHED. RELEASED FOR PUBLICATION
 © COPYRIGHT BY TYCO ELECTRONICS CORPORATION. ALL RIGHTS RESERVED.

LOC		DIST		REVISIONS			
P	LTR	DESCRIPTION	DATE	DWN	APVD		
FT	0						
	H	REVISED PER 0G3B-0134-05	4/25/05	SS	HW		



3.35±0.25 [.132±.010]	NO	NO	3.81 [.150]	211401-8
1.83±0.25 [.072±.010]	NO	NO	3.81 [.150]	211401-6
1.83±0.25 [.072±.010]	YES	NO	2.54 [.100]	211401-5
1.83±0.25 [.072±.010]	YES	NO	3.81 [.150]	211401-4
1.83±0.25 [.072±.010]	NO	YES	3.81 [.150]	211401-3
1.83±0.25 [.072±.010]	NO	NO	2.54 [.100]	211401-2
1.83±0.25 [.072±.010]	NO	NO	3.81 [.150]	211401-1
T	4-40 THREADED INSERTS	PERIPHERAL SEAL	MAX WIRE INSULATION DIA	PART NUMBER

- ① HOUSING: THERMOPLASTIC, BLACK.
 PERIPHERAL SEAL: ELASTOMER, GRAY.
 THREADED INSERTS: BRASS.
- ② CAVITY IDENTIFICATION ON FRONT AND REAR FACE.
- 3. WILL ACCEPT SEVEN (7) MULTIMATE PIN CONTACTS.
- 4. .0050MAX FLASH PERMITTED IN THE AREA OF DIMENSION T, .020 MAX FLASH PERMITTED ON MATING FACE SIDE AND .025 MAX FLASH PERMITTED ON REAR FACE SIDE.
- ⑤ PRELIMINARY PART NUMBER.

THIS DRAWING IS A CONTROLLED DOCUMENT. DWN D.HARDY 08-01-94
 CHK R.STONE 08-10-94

Tyco Electronics Corporation
 Harrisburg, Pa 17105-3608

RECEPTACLE HOUSING,
 STANDARD SEX, 13-7, CPC

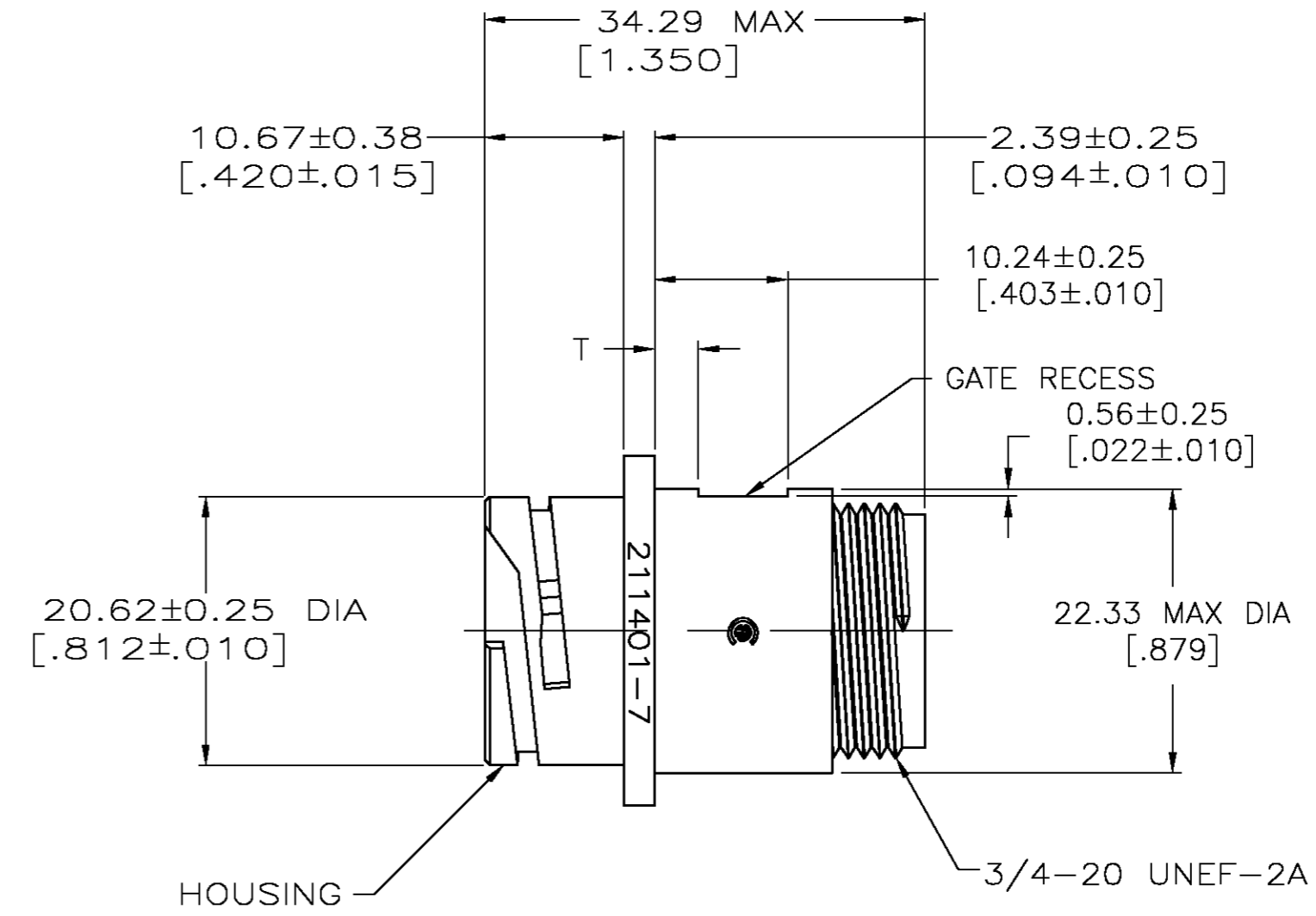
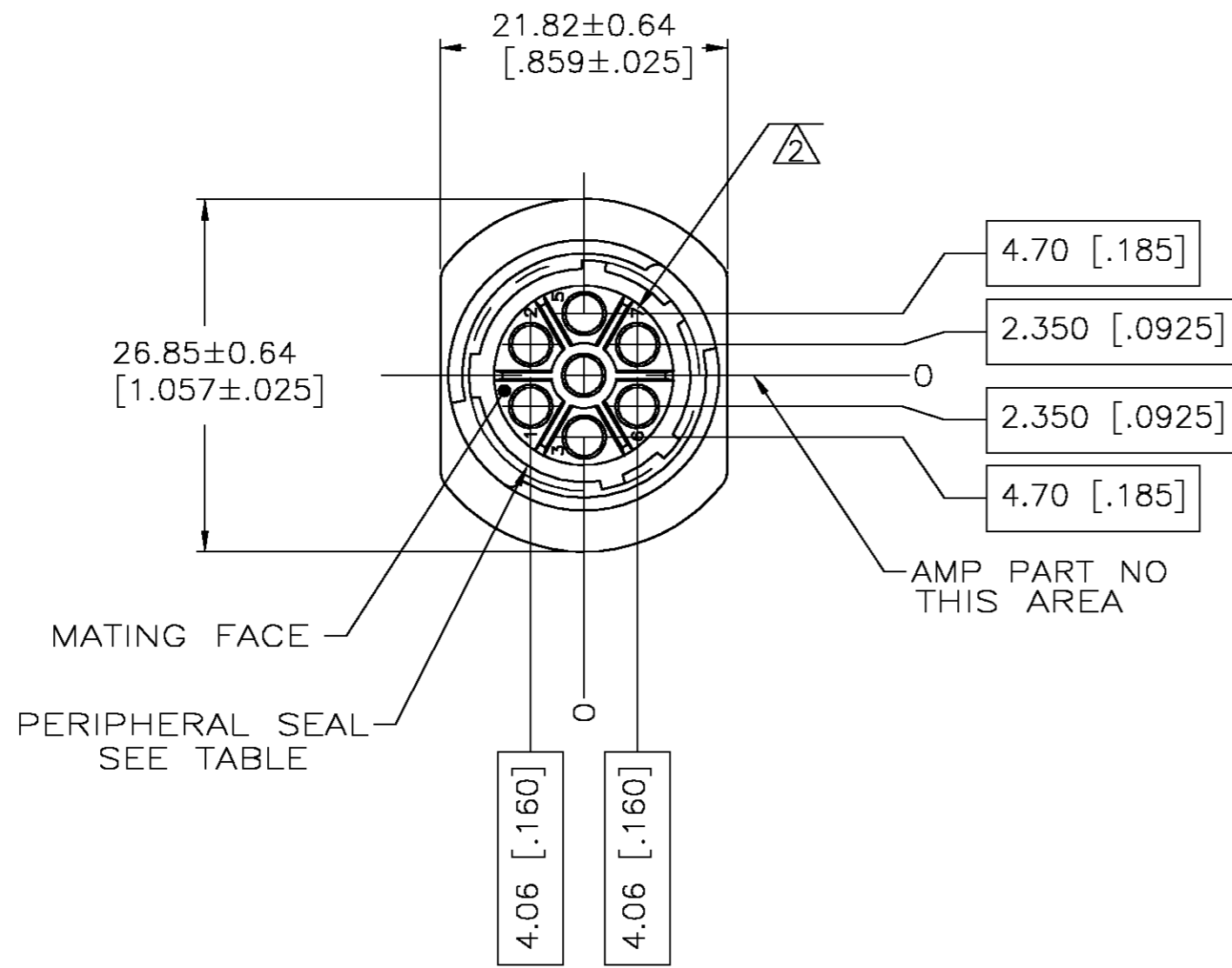
SIZE A2 CAGE CODE 00779 DRAWING NO C=211401 RESTRICTED TO

MATERIAL - FINISH - WEIGHT - SCALE 2:1 SHEET 1 OF 2 REV H

CUSTOMER DRAWING

THIS DRAWING IS UNPUBLISHED. RELEASED FOR PUBLICATION
 © COPYRIGHT BY TYCO ELECTRONICS CORPORATION. ALL RIGHTS RESERVED.

LOC	DIST	REVISIONS			
P	LTR	DESCRIPTION	DATE	DWN	APVD
FT	0	SEE SHEET 1	-	-	-



△ HOUSING: THERMOPLASTIC, BLACK.
 PERIPHERAL SEAL: ELASTOMER, GRAY.
 THREADED INSERTS: BRASS.

△ CAVITY IDENTIFICATION ON FRONT AND REAR FACE.

3. WILL ACCEPT SEVEN (7) MULTIMATE PIN CONTACTS.

4. .005 MAX FLASH PERMITTED IN THE AREA OF DIMENSION T, .020 MAX FLASH PERMITTED ON MATING FACE SIDE AND .025 MAX FLASH PERMITTED ON REAR FACE SIDE.

1.83±0.25 [.072±.010]	NO	2.54 [.100]	211401-7
T	PERIPHERAL SEAL	MAX WIRE INSULATION DIA	PART NUMBER

THIS DRAWING IS A CONTROLLED DOCUMENT.		DWN D.HARDY 08-01-94	Tyco Electronics Corporation	
DIMENSIONS: mm [INCHES]		CHK R.STONE 08-10-94	Harrisburg, Pa 17105-3608	
TOLERANCES UNLESS OTHERWISE SPECIFIED:		APVD -	NAME	
0 PLC ± -		PRODUCT SPEC -	RECEPTACLE HOUSING, STANDARD SEX, 13-7, CPC	
1 PLC ± -		APPLICATION SPEC -	SIZE A2	CAGE CODE 00779
2 PLC ± 0.13 [.005]		WEIGHT -	DRAWING NO C=211401	RESTRICTED TO -
3 PLC ± -		CUSTOMER DRAWING	SCALE 2:1	SHEET 2 OF 2
4 PLC ± -			REV H	
ANGLES ± -				
FINISH -				